



XRS-9972

Rated Container Capacity 99,000-lbs. (45 t)
First Row / 4-high Stacking 9.5-ft. (2.9 m)
Rated Container Capacity 90,400-lbs. (41 t)
First Row / 5-high Stacking 9.5-ft. (2.9 m)
258-in. (6,550 mm) Wheelbase



FAITH • VISION • WORK

www.taylorbigred.com
Featured truck is shown with optional equipment

Standard Features: XRS-9972

- Telescopic Boom for stacking 5-High 1st row, 4-High 2nd row and 3-High 3rd row (9' 6" Loaded)
- 20-40 ISO Container Handling Attachment, with rotation, side shift, expansion/retraction and damping
- Accumulator in Lift Circuit
- Volvo 12.8L TAD1371VE 388-HP Tier 4-Final Diesel (Turbocharged)
- Fuel/Water separator
- Donaldson dry-type air cleaner w/safety element & restriction indicator (with TaylorMax Precleaner)
- Dana TE-30 5-speed powershift transmission
- Powertrain protection system for engine and transmission
- Kessler D-102W HD planetary drive axle with wet disc brakes
- Taylor 800 welded steel steer axle with stud protectors (single hydraulic cylinder design with heavy-duty links from the cylinder ram directly to tapered roller bearing mounted spindles)

Chassis

- All-welded steel frame with 4 lifting eyes (lifting eyes not designed for level pick)
- Bolted counterweight
- Replaceable bolt-on steps and handrails
- Lockable Fuel Cap
- Removable deck plates open to expose drive train for ease of maintenance

Cab

- Climate Controlled sliding (hydraulic/electric) all-welded steel center mount cab (includes right hand and left hand access doors, with rear exit window and dome light)
- 66,000 BTU total heating with front and rear defrosting, cab pressurizer and fresh air intake
- 40,000 BTU air conditioning and two circulation fans
- Exterior Cab Positioning Switch allows the cab to be moved while the machine is powered down
- Tinted glass with front, rear, and top windshield wipers
- Front and Top windshield washer
- Fully adjustable air ride swivel seat with 35° of rotation (15°/20° left-right)
- Multifunction joystick, with integrated directional shift control, mounted on adjustable arm rest
- Operator Restraint System (Orange, anti-cinch seat belt with starting sequence neutral lock)
- Operator Presence System with timed idle and neutral shutdown (5 minute default, password adjustable from 1-120 minutes by end user)
- Taylor Integrated Control System (TICS) ...see next page for additional info
- TaylorTrak Pro - Advanced Fleet Telematics hardware
- 7-in touch screen color display
- Rear visibility aid camera system
- The 2-piece flip-down instrument panel is pre-wired to accommodate heavy-duty accessories.
- All wiring is color and number coded.
- Dual USB charging ports
- Hydrostatic, steer-on-demand power steering with tilt steering column

Electrical

- 24-volt electrical system with 110 amp alternator
- Dual heavy-duty batteries
- Dual Battery disconnect/lock-out switch
- 2 Sets of Amber/Green/Red Twistlock operation signal lights (mounted in cab and on boom)
- (4) Chassis mounted LED work lights
- (4) Boom mounted LED work lights
- (2) Dedicated Twistlock LED work lights
- (2) LED step lights
- Stop-Tail-Turn Lights
- Circuit breakers with heavy duty connectors (no automotive type fuses)
- Breaker reset switches
- Keyswitch-actuated push button start
- Air Horn with 2-gal air tank (126 dBA)
- Keyswitch-actuated amber strobe light
- Forward and reverse-actuated warning alarms

Vehicle Information Package

- Operators Guide
- Maintenance and Service documentation including key circuit drawings (Serial Number Specific Parts Book is available upon request)
- Safety Check Manual and Video



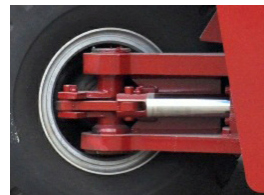
Climate Controlled 2-door Cab - All Steel - Heat, A/C & Defrost (Standard)



12 LED Work /Step Lights (Standard)



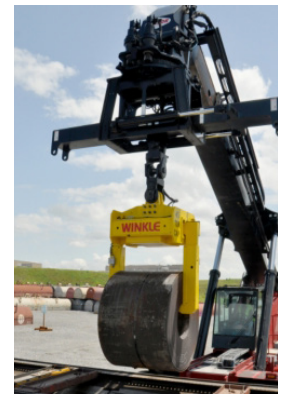
Fully Adjustable Air Ride Seat (Standard)



Industry's Toughest Steer Axle (Standard)



Vehicle Information Package (Standard)



There are multiple attachments available for the XRS-9972 making it one of the most versatile machines in the material handling industry. Ask a Taylor sales representative for more information on available Reachstacker configurations.

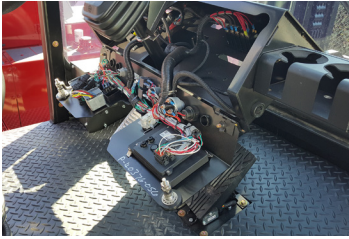
NEED OPTIONS?

Just ask one of our Taylor Specialist.

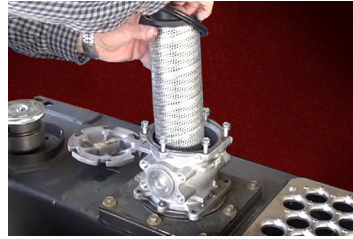
Taylor Machine Works was founded on the promise of meeting our customer's needs. The signage on our original facility in 1927 stated "We Engineer and Build What You Need" and those ideals still ring true today! From multiple Mast, Carriage and Fork configurations to Special Attachments that are unique to your business, we will step forward to meet the challenge. We have a dedicated engineering group focused on meeting special request from our customers. This ensures that you have the exact equipment you need to tackle your rugged applications. With hundreds of options readily available for our trucks, and the ability to custom engineer any other need that arises, Taylor Machine Works is here ready to serve.

Serviceability

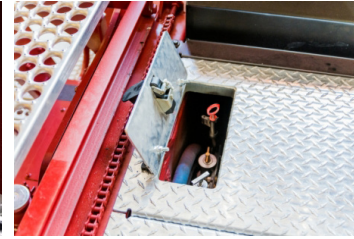
Taylor Reachstackers are designed with ease of maintenance and serviceability as a key priority. With today's engine and emissions requirements, daily maintenance checks and timely periodic service are the key to your equipment's longevity. All daily checks on the XRS-9972 can be accessed from either the ground or operator platform, ensuring that operators can complete these requirements with ease. Also, the side service doors and removable deck panels open to expose the drivetrain and hydraulics to provide easy access for service and inspection.



Flip-down Dash with Color/Number Coded Wiring (Standard)



Spin-on Breather, Wire Mesh Strainer & Replaceable Internal Element (Standard)



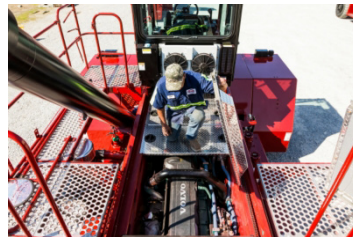
Daily Checks are Easily Accessed from the Operator Platform without Deck Lid Removal



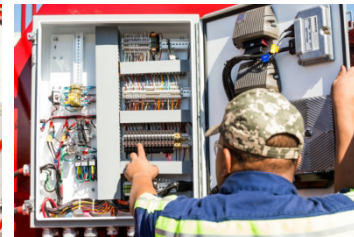
Service Cab Positioning Switch allows the Cab to be Traversed with Machine Powered Down



Donaldson Air Cleaner with Safety Element (Standard)



Lightweight Deck Lids allow Easy Access for Service and Inspection Service & Inspection from



Easy Access to Heavy Duty Circuit Breaker Panel and Breaker Reset Switches



Easy Access for Steer Axle Maintenance

Hydraulics & Brakes

The Taylor XRS-9972 features a hydraulic system that utilizes variable displacement pumps and sectional control valves. Joystick control that can be tuned for operator comfort is standard on all of our models. Power-on-Demand is also featured on every Taylor lift truck, but can be turned off to suit operator preferences. The Hydraulic tank features a spin-on breather, full-flow 10-micron return-line filters and a replaceable internal element. The hydraulic oil and wet disc brakes are cooled by an air-to-oil cooler separate from the transmission cooler. Taylor strives to keep things simple and use appropriate technology that brings value to our customers.

Taylor Integrated Control System (TICS)

The TICS system is a vehicle electronic control system comprised of multiple components including an operator display module, which provides integrated control of the electronic and hydraulic systems on the truck. J1939 CANbus technology allows all machine data to be accessed through the 7-in. touch screen color display (located in the cab) and allows controllers and sensors to communicate with minimal wiring between the components. This display indicates engine, transmission, hydraulic and emissions info as well as active warnings, fuel consumption, maintenance data and man/machine interface data. The display also allows service personnel to access data needed during troubleshooting (such as sensor status and controller outputs). Machine functions can be tuned through this display and are password protected to prevent operator access.



- TICS gives customers the ability to customize operation parameters of their Taylor lift truck, perform diagnostics, and monitor key functions including fuel consumption.
- The TICS interface is simple, easy to understand and user friendly.
- The TICS diagnostic ability is key to quick repair and less downtime.
- Troubleshooting and diagnosing most problems can be done by the customer's own mechanic, without the need for a service tech with a detached computer.
- There are multiple options available including, but not limited to, scale systems, modem based fleet tracking and the Vision Plus™ pedestrian detection system.

XRS-9972

REACH STACKER

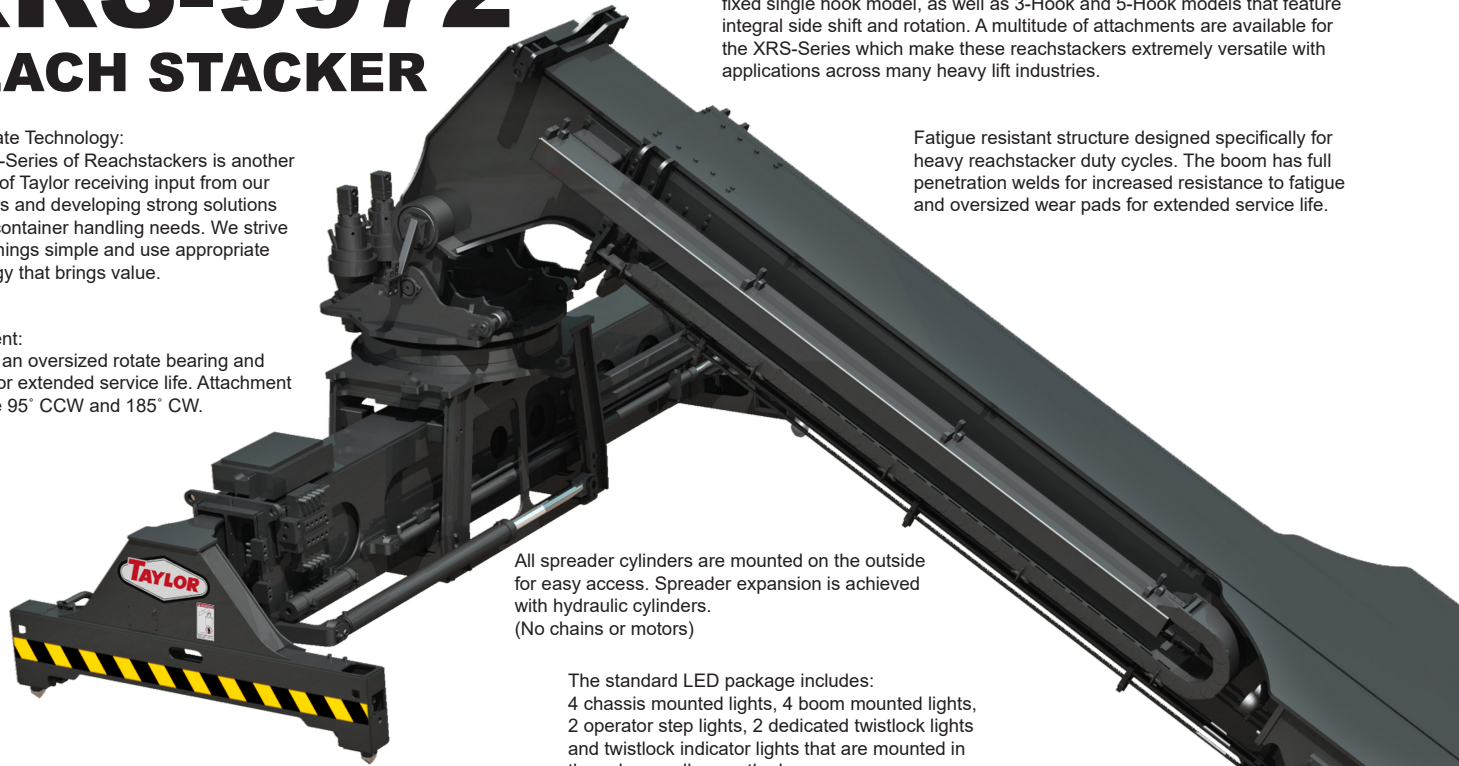
The XRS-Series is also available in Breakbulk configurations that include a fixed single hook model, as well as 3-Hook and 5-Hook models that feature integral side shift and rotation. A multitude of attachments are available for the XRS-Series which make these reachstackers extremely versatile with applications across many heavy lift industries.

Appropriate Technology:

The XRS-Series of Reachstackers is another example of Taylor receiving input from our customers and developing strong solutions for their container handling needs. We strive to keep things simple and use appropriate technology that brings value.

Attachment:

Features an oversized rotate bearing and gearing for extended service life. Attachment will rotate 95° CCW and 185° CW.



All spreader cylinders are mounted on the outside for easy access. Spreader expansion is achieved with hydraulic cylinders.
(No chains or motors)

The standard LED package includes:
4 chassis mounted lights, 4 boom mounted lights,
2 operator step lights, 2 dedicated twistlock lights
and twistlock indicator lights that are mounted in
the cab as well as on the boom.

Ease of maintenance...

With the press of a button, the XRS cab can be moved electrically while the machine is powered down. This gives access to the lightweight removable deck plates which open to expose the full drive train and hydraulics.
(No tools required to remove deck plates.)

Attachment Features:

The attachment has standard ISO twistlocks for 20-ft. (6.1 m) and 40-ft. (12.2 m) positions. The structure is a simple, rugged, box frame design with two common expansion frames and one center box frame. The spreader has an open design for easy inspection and maintenance and has oversized wear pads for extended service life.

The standard climate controlled operator base can be accessed from either side of the machine or optionally from the front of the machine when the cab is maneuvered to the full forward position.

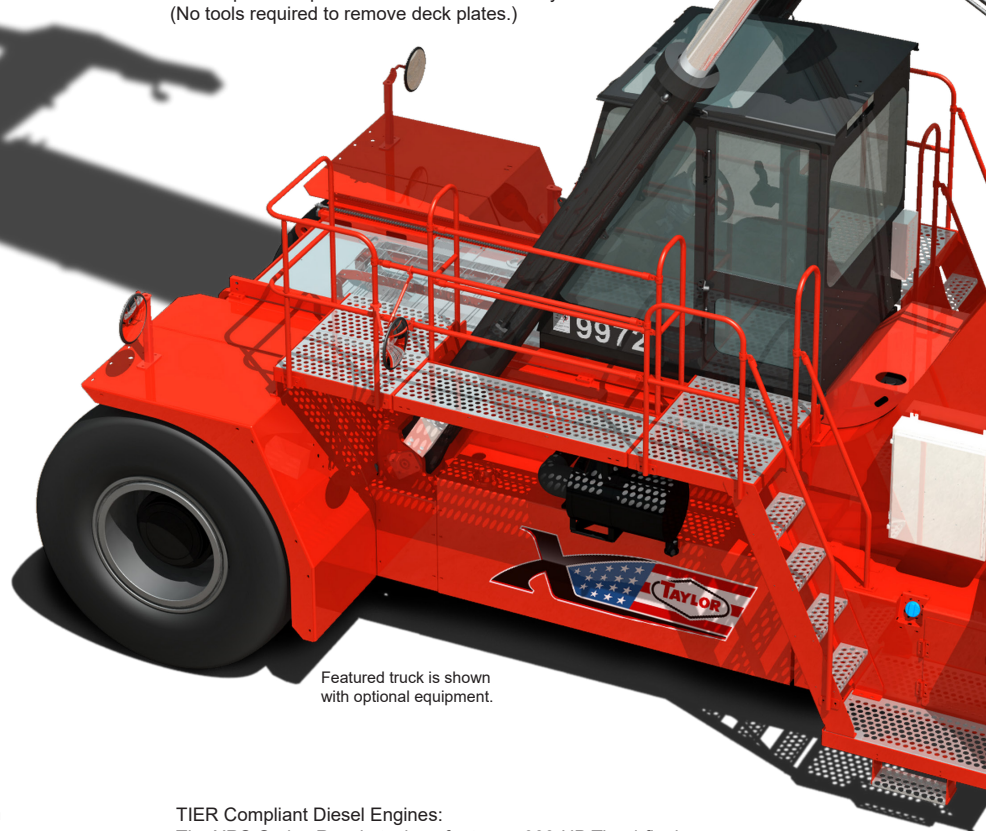
The high-stability, wide stance, planetary drive axle has the strength and durability that Taylor customers have come to expect.
(Optional tire configurations are available.)

TICS (Taylor Integrated Control System)

gives customers the ability to customize operation parameters of their Taylor lift truck and perform diagnostics. TICS is different from other systems; the interface is simple, easy to understand and user friendly. The TICS diagnostic ability is key to quick repair and less downtime. Troubleshooting and diagnosing most problems can be done by the customer's own service mechanic, without the need for a service tech with a detached computer.

TIER Compliant Diesel Engines:

The XRS-Series Reachstackers feature a 388-HP Tier-4 final compliant diesel engine. Maximum power and torque are available at low rpm and as a result, noise and fuel consumption are both reduced. For non-emissions regulated countries, a 335-HP Tier-III diesel engine is available.



Featured truck is shown with optional equipment.

RUGGED RELIABILITY

50+ years of containerized cargo handling experience

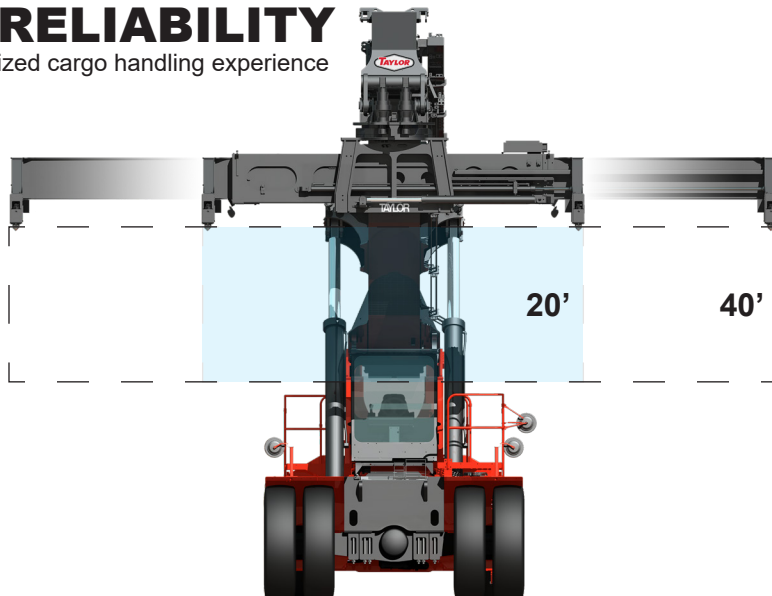


The XRS is engineered for longer life. Instead of the typical 600,000 cycle life, we design for 1,000,000 cycle life in our spreader. Longer life means more cost savings to you with far less downtime. We even simplified the system to make it easier to operate, service, and maintain.

A comfortable and safe operator station is vital to productivity. With this in mind, we set out to develop an operator area specifically for the safety, comfort and convenience of the operator. All steel construction, ergonomic controls, a large comfortable seat, standard climate controls, T-shaped dashboard and oversized windows provide excellent visibility for the operator. A low-effort joystick, which is mounted on a large and easily adjustable armrest, provides easy control of lift/lower, boom-in/boom-out, attachment rotation, side-shift and twistlock operation functions. This allows the operator to be more efficient and productive.

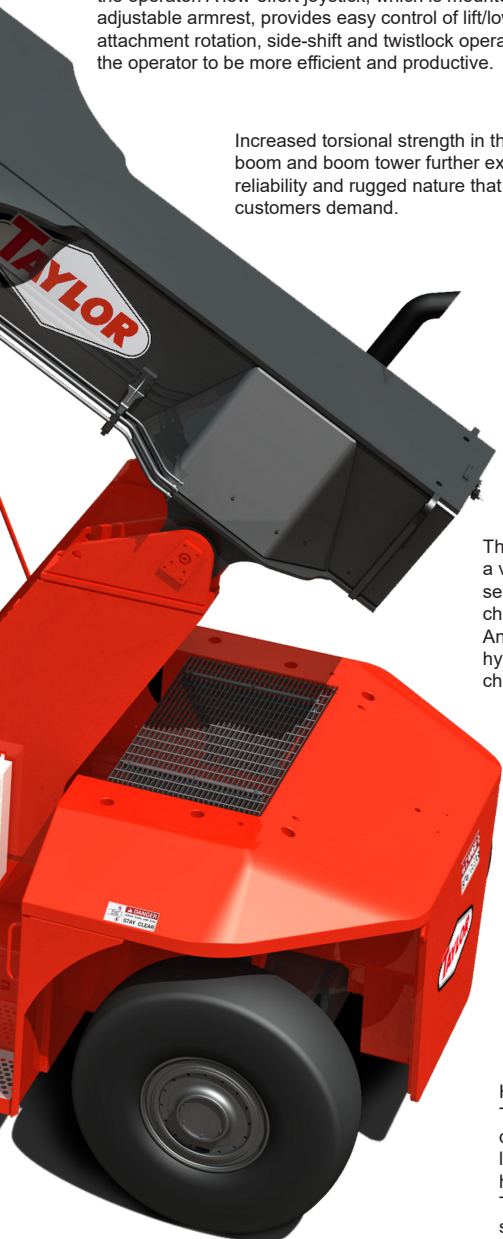
Increased torsional strength in the chassis, boom and boom tower further expand the reliability and rugged nature that Taylor customers demand.

The three section radiator utilizes a vertical bolted design. It has a separate section for engine coolant, charge air, and transmission oil. An additional cooler services the hydraulic fluid. (Located in the chassis away from ground debris.)



Dramatically increased lifting speeds.

Increased productivity is a key component to a healthy bottom line. The New XRS Reachstacker has lift speeds that approach 30% higher than previous generations while retaining the rugged reliability that Taylor customers demand! The increased production cycles made possible by these increased lift speeds will greatly impact the overall productivity of your business.



Rated Container Capacity 99,000-lbs. (45 t)
First Row / 4-high Stacking 9.5-ft. (2.9 m)

Rated Container Capacity 90,400-lbs. (41 t)
First Row / 5-high Stacking 9.5-ft. (2.9 m)
258-in. (6,550 mm) Wheelbase

Heavy-duty Steer Axles:

To ensure your machine will continue to handle the demands of your business, we have designed a steer axle like none other. It utilizes a single hydraulic cylinder with heavy-duty links that tie the cylinder ram to the spindles. The XRS-9972 also has tapered roller bearings in the steer axle spindles, which are considered the most durable bearings available to the industry today.

MADE IN THE





CHU
1578546

TAYLOR

THERMO KING

THERMO KING

SZLU
984964 5

SZLU
984973 2

WARNING
BE HIGH

WARNING
BE HIGH

THERMO KING

SZLU
984886 5

CHU
9013690

DO NOT LIFT WITH FORK LIFTS

SZLU 984973 2
4591

CHU 981039 0

XRS-9972

REACH STACKER



Supporting Taylor Lift-trucks Worldwide

Sudden Service, Inc.



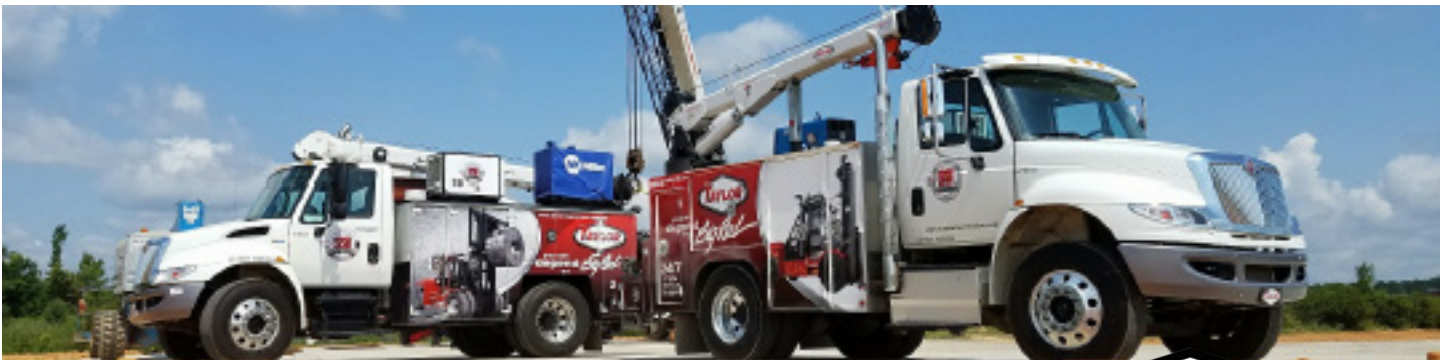
24/7 Worldwide Support

Taking Care of Our Customers is Priority One!

Unbeatable customer service, backed by over 90 years of customer satisfaction.

Your #1 Source for Genuine Taylor Parts

Our customers deserve to know they can always depend on us for service and support 24/7. Because of that expectation, we have factory trained service techs on the ground nationwide. Over 200 service technicians receive continuing education (hands-on) at the factory each year. Your service techs are supported by the best OEM parts and distribution facility in the world. With \$60,000,000 dollars worth of parts distributed across our factory stores and millions more on the shelves at our dealers. We pride ourselves on providing you with unmatched Service & Support by a Worldwide Team of dedicated specialists.



**Have You Considered Leasing?
Or Custom Fleet Management?**



Our goal is to structure a financial product that improves your profit with reduced operating cost by increasing up-time and offering a wide range of financial solutions to fit the specific needs of your business. Taylor Leasing offers over 100 different financial structures within the main product categories of:

- **Operating Lease** - A financial choice which provides use of equipment for extended period of time with a low monthly operating cost.
- **Finance Lease** - This type of lease offers flexibility in payments with equipment ownership options at the end of the lease term.
- **Fleet Management** - Your needs and goals are always evaluated carefully before providing you with a custom fleet leasing solution. We only include fleet management services (including maintenance solutions detailed below) that help your fleet function more efficiently.
- **Fleet Maintenance** - We offer tailored fleet maintenance solutions, that range from periodic service and emergency repairs to full on site personnel. Taylor Fleet Maintenance Programs assist in budgeting, while helping to eliminate unpredictable expenses and allowing you to focus on your actual business.

For more information Phone: (662) 773-3421 Ext. 400 - Fax: (662) 773-9146 or E-mail Stephen Arnett sarnett@taylorbigred.com

www.taylorleasingandrental.com

TMW-BR-3003-03 (1/9/20)